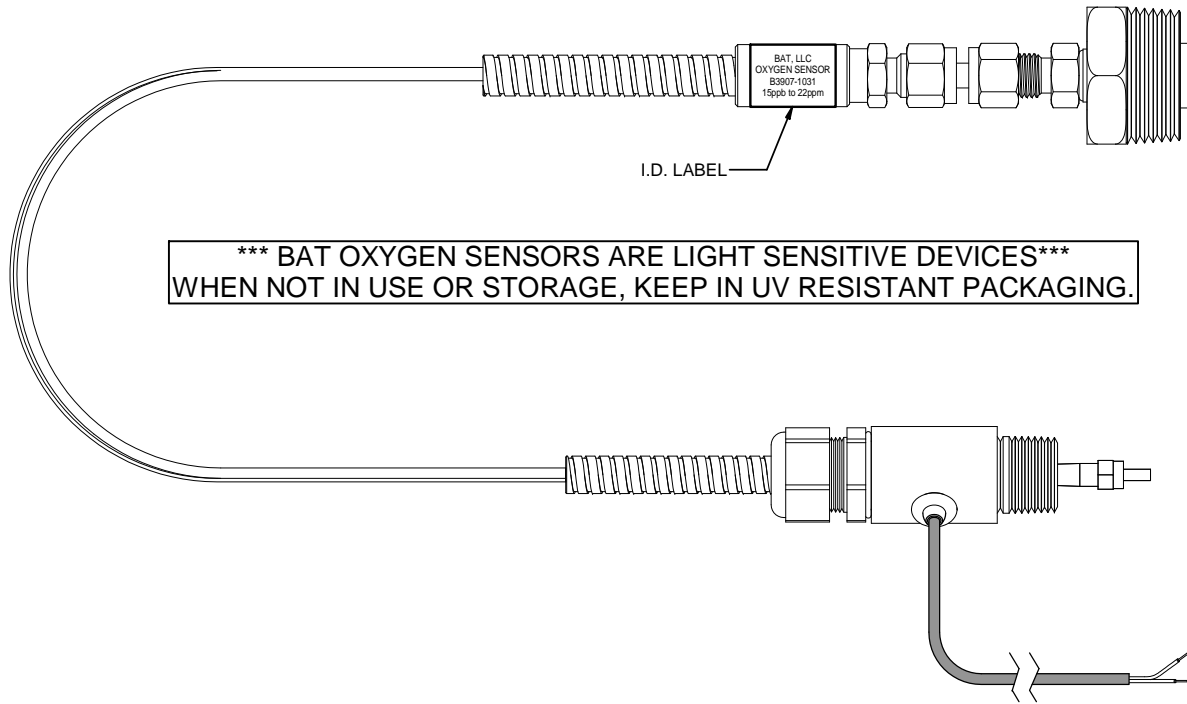
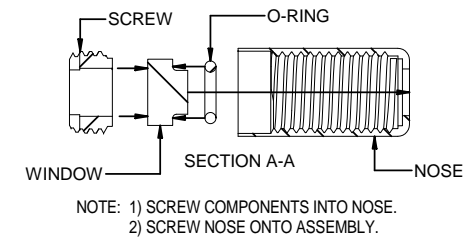
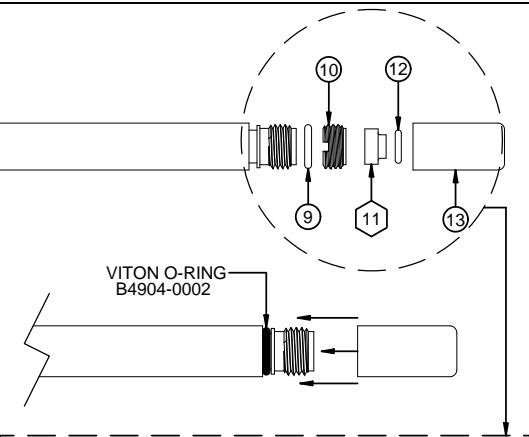


" MAX 1500 PSIG @ MAX 50°C "



*** BAT OXYGEN SENSORS ARE LIGHT SENSITIVE DEVICES***
WHEN NOT IN USE OR STORAGE, KEEP IN UV RESISTANT PACKAGING.



NOTE: 1) SCREW COMPONENTS INTO NOSE.
2) SCREW NOSE ONTO ASSEMBLY.

		BOS1	BOS1	BOS1	BOS2	BOS2	BOS2
SENSOR ASSY. OXYGEN, ARMORED		B3907-1029	B3907-1028	B3907-1030	B3907-1031	B3907-1025	B3907-1032
ARMORED SENSOR LENGTH ASS'D.		2.5 METER	5 METER	10 METER	2.5 METER	5 METER	10 METER
ITEM #	QTY.	COMPONENT DESCRIPTION	PART #	PART#	PART#	PART#	PART#
9	1	O-RING VITON 2-011 .301 I.D. .070 SEC.	B4904-0002	B4904-0002	B4904-0002	B4904-0002	B4904-0002
10	1	SCREW, WINDOW CAPTURE 12mm	B5105-0072	B5105-0072	B5105-0072	B5105-0072	B5105-0072
(11)	1	WINDOW, OPTICAL EXCHANGE	B5103-0010	B5103-0010	B5103-0010	B5103-0011	B5103-0011
12	1	O-RING 1.5mm X 5.5mm I.D VITON 75D	B4904-0067	B4904-0067	B4904-0067	B4904-0067	B4904-0067
13	1	NOSE, 12mm OPTICAL SENSOR	B5104-0669	B5104-0669	B5104-0669	B5104-0669	B5104-0669

" FIELD REPLACABLE PARTS "

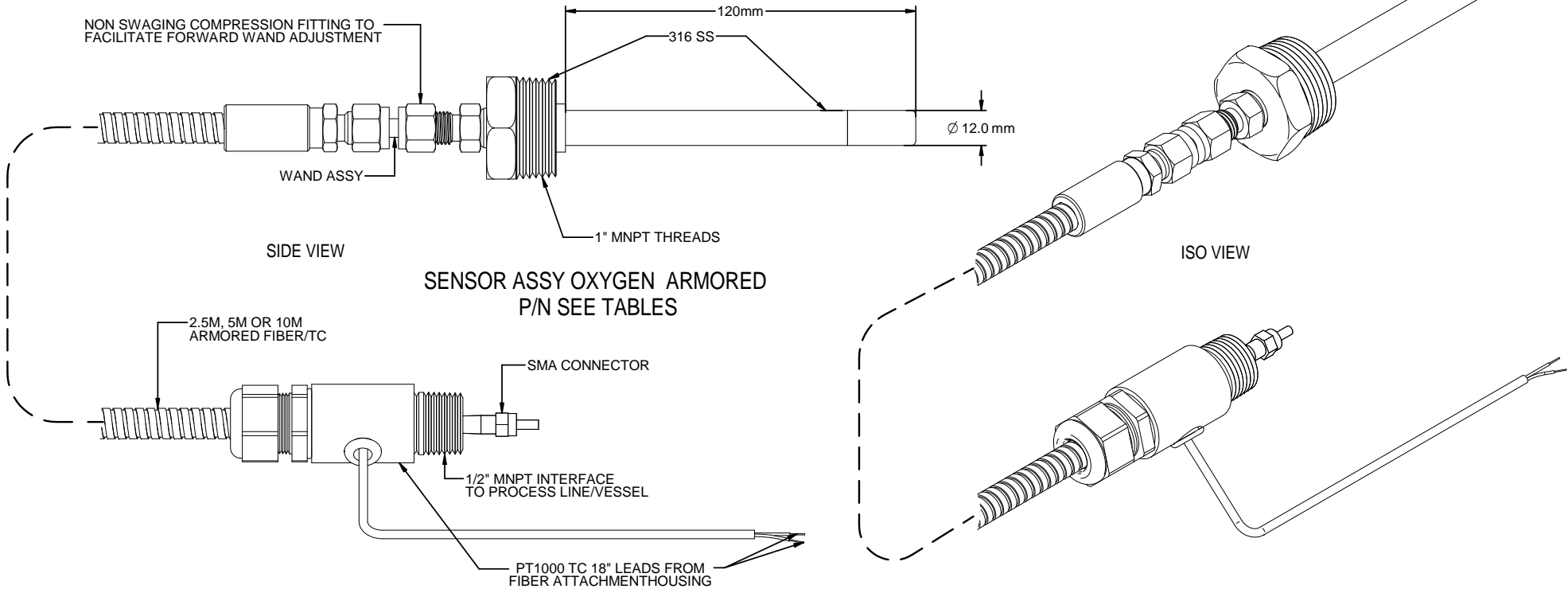
** LIMITS OF DETECTION **
BOS1 = SS VITON ASSEMBLIES - 1ppb TO 100ppb
BOS2 = SS VITON ASSEMBLIES - 15ppb TO 22ppm

C	08/02/12	UPDATE TABLE	WC	HWM
REV	DATE	DESCRIPTION	DWN	APVD
REVISIONS				
SEE TABLE		SEE TABLE		
MATERIAL/DESCRIPTION		PART NO.		

DIMENSIONS IN INCHES	SENSOR ASSY OXYGEN 12mm X 120mm 1" NPT MOUNTING			
	PART NO. FOR BOS1 & BOS2 O2 SENSORS			
TOLERANCES	.0 ± .015" .00 ± .010" .000 ± .005"			
FRACTIONAL ALL ± .015"	BARBEN AMETEK Analyzer Technology, LLC O'BRIEN 5200 Convaire Drive Carson City, NV 89706 PH(775)883-2500 FAX (775)297-4740			
ANGLES ± 1/4°	DRAWN BY	W. COWAN	ECO	DRAWING NO
UNLESS OTHERWISE SPECIFIED	APVD BY	HWM	1380	2P0223
	DATE	SCALE	SIZE	SHEET
	04/01/2011	1 : 1		1 OF 4

" MAX 1500 PSIG @ MAX 50°C "

*** BAT OXYGEN SENSORS ARE LIGHT SENSITIVE DEVICES***
 WHEN NOT IN USE OR STORAGE, KEEP IN UV RESISTANT PACKAGING.



SENSOR ASSY OXYGEN ARMORED
 P/N SEE TABLES

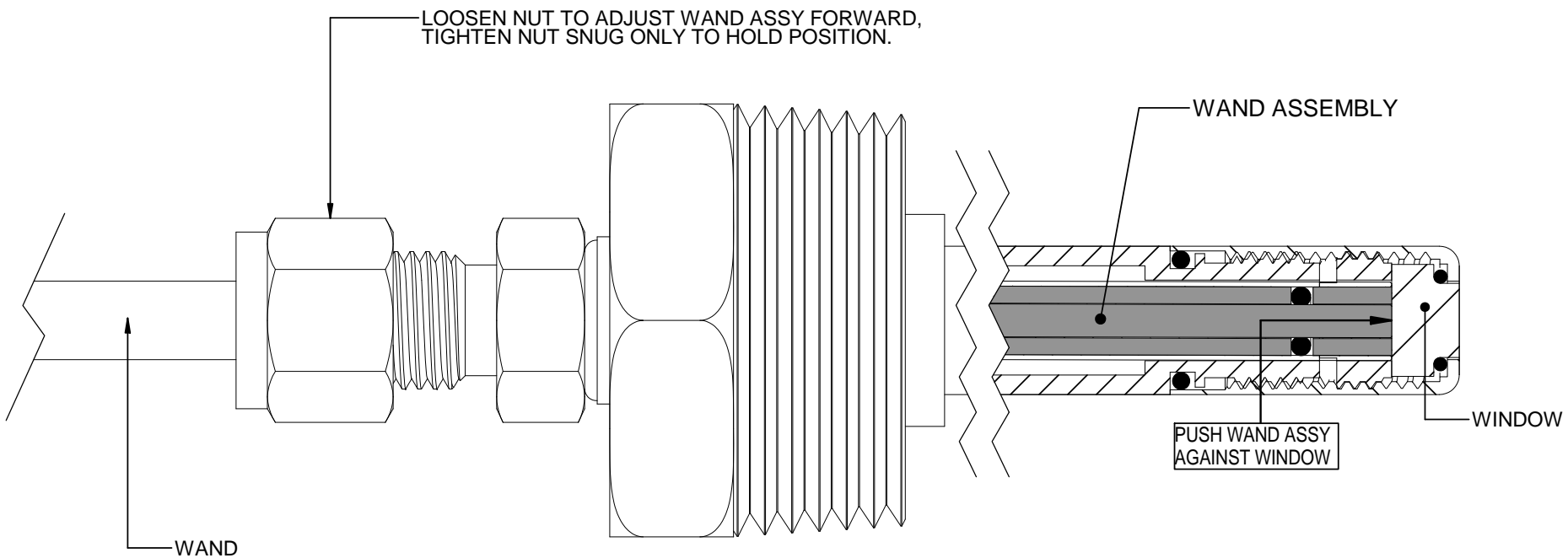
**** LIMITS OF DETECTION ****
 BOS1 = SS VITON ASSEMBLIES - 1ppb TO 100ppb
 BOS2 = SS VITON ASSEMBLIES - 15ppb TO 22ppm

C	08/02/12	UPDATE TABLE	WC	HWM
REV	DATE	DESCRIPTION	DWN	APVD
REVISIONS				
SEE TABLE		SEE TABLE		
MATERIAL/DESCRIPTION		PART NO.		


DIMENSIONS IN INCHES	SENSOR ASSY OXYGEN 12mm X 120mm 1" NPT MOUNTING			
TOLERANCES	PART NO. FOR BOS1 & BOS2 O2 SENSORS			
.0 ± .015"	Analyzer Technology, LLC O'BRIEN 5200 Convaire Drive Carson City, NV 89706 PH(775)883-2500 FAX (775)297-4740			
.00 ± .010"				
.000 ± .005"				
FRACTIONAL ALL ± .015"	DRAWN BY	W. COWAN	ECO	DRAWING NO
ANGLES ± 1/4°	APVD BY	HWM	1380	2P0223
UNLESS OTHERWISE SPECIFIED	DATE	SCALE	SIZE	SHEET
	04/01/2011	1 : 1		2 OF 4

" MAX 1500 PSIG @ MAX 50°C "

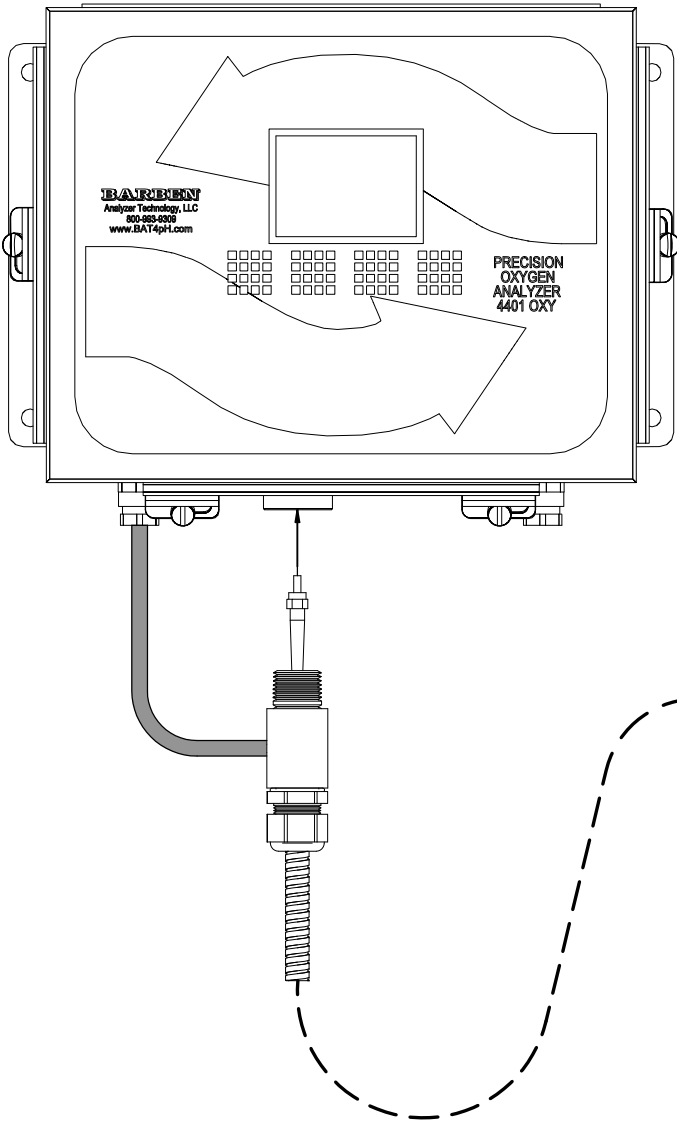
*** BAT OXYGEN SENSORS ARE LIGHT SENSITIVE DEVICES***
 WHEN NOT IN USE OR STORAGE, KEEP IN UV RESISTANT PACKAGING.



C	08/02/12	UPDATE TABLE	WC	HWM
REV	DATE	DESCRIPTION	DWN	APVD
REVISIONS				
SEE TABLE		SEE TABLE		
MATERIAL/DESCRIPTION		PART NO.		

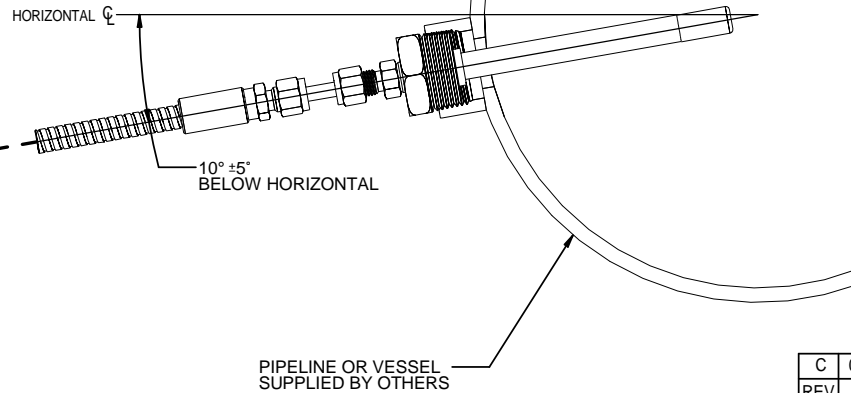
WAND ADJUSTMENT DETAIL				
PART NO. SEE TABLE		FOR BOS1 & BOS2 O2 SENSORS		
 Analyzer Technology, LLC O'BRIEN 5200 Convoir Drive Carson City, NV 89706 PH(775)883-2500 FAX (775)297-4740				
DRAWN BY	W. COWAN	ECO	DRAWING NO	
APVD BY	HWM	1380	2P0223	
DATE	SCALE	SIZE	SHEET	
04/01/2011	1 : 1		3 OF 4	

DIMENSIONS IN INCHES
TOLERANCES
.0 ± .015"
.00 ± .010"
.000 ± .005"
FRACTIONAL ALL ± .015"
ANGLES ± 1/4°
UNLESS OTHERWISE SPECIFIED




" MAX 1500 PSIG @ MAX 50°C "

*** BAT OXYGEN SENSORS ARE LIGHT SENSITIVE DEVICES***
 WHEN NOT IN USE OR STORAGE, KEEP IN UV RESISTANT PACKAGING.



C	08/02/12	UPDATE TABLE	WC	HWM
REV	DATE	DESCRIPTION	DWN	APVD
REVISIONS				
SEE TABLE		SEE TABLE		
MATERIAL/DESCRIPTION		PART NO.		

DIMENSIONS IN INCHES	PREFERRED SENSOR MOUNTING			
	PART NO. SEE TABLE		FOR BOS1 & BOS2 O2 SENSORS	
TOLERANCES	 Analyzer Technology, LLC O'BRIEN <small>5200 Convoir Drive Carson City, NV 89706 PH(775)883-2500 FAX (775)297-4740</small>			
FRACTIONAL ALL ± .015"	DRAWN BY	W. COWAN	ECO	DRAWING NO
ANGLES ± 1/4°	APVD BY	HWM	1380	2P0223
UNLESS OTHERWISE SPECIFIED	DATE	SCALE	SIZE	SHEET
	04/01/2011	1 : 1		4 OF 4